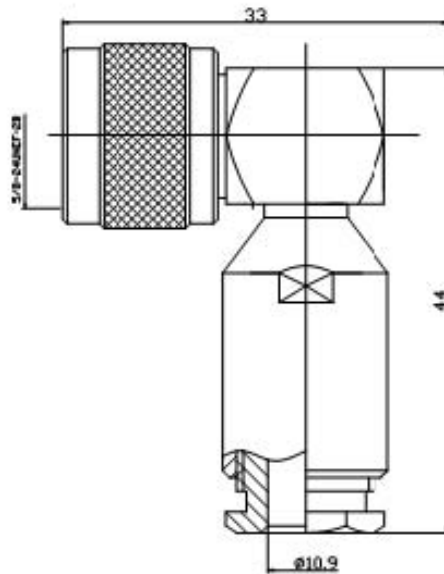


Dimension:



Electrical

Characteristic Impedance

50 ohm

Frequency Range

DC-11GHz

VSWR

≤1.20 @DC-3000MHz

Dielectric Withstanding Voltage

≥2500V RMS,50Hz,at sea level

Dielectric Resistance

≥5000MΩ

Contact Resistance

Center Contact ≤1.0mΩ

Outer Contact ≤0.25mΩ

Mechanical

Durability

Mating cycles ≥500

Material and plating

Body

Material

Plating

Brass

Ni

Insulator

PTFE

—

Center conductor

Phosphor bronze

Au

Coupling Nut

Brass

Ni

Other Parts

Brass

Ag

Gasket

Silicone Rubber

—

Environmental

Temperature Range

-40℃~+85℃

Weatherproof Rate

IP 68

RoHs Compliant