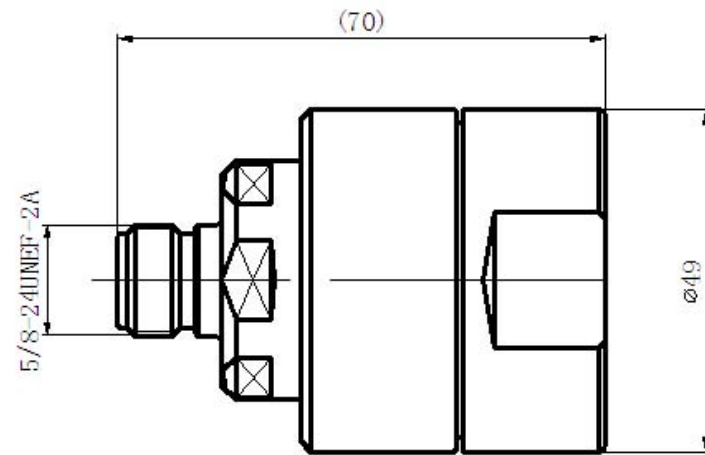


## N Female Connector For 1-1/4" Feeder Cable



Interface  
According to IEC 60169-16

### Electrical Characteristic

Impedance 50 ohm

Frequency Range DC-11GHz VSWR  $\leq 1.15$  @DC-3000MHz

Dielectric Withstanding Voltage  $\geq 2500V$  RMS,50Hz,at sea level

Dielectric Resistance  $\geq 5000M\Omega$

Contact Resistance Center

Contact  $\leq 1.0m\Omega$

Outer Contact  $\leq 0.25m\Omega$

### Mechanical

Durability

Mating cycles  $\geq 500$

Material and plating

	Material	Plating
Body	Brass	Ni
Insulator	PTFE	—
Center conductor	Phosphor bronze	Ag
Coupling Nut	Brass	Ni
Gasket	Silicone Rubber	—
Other Parts	Brass	Ni

Environmental

Temperature Range

$-40^{\circ}C \sim +85^{\circ}C$

Weatherproof Rate

IP 68

RoHs Compliant